

# Model RB

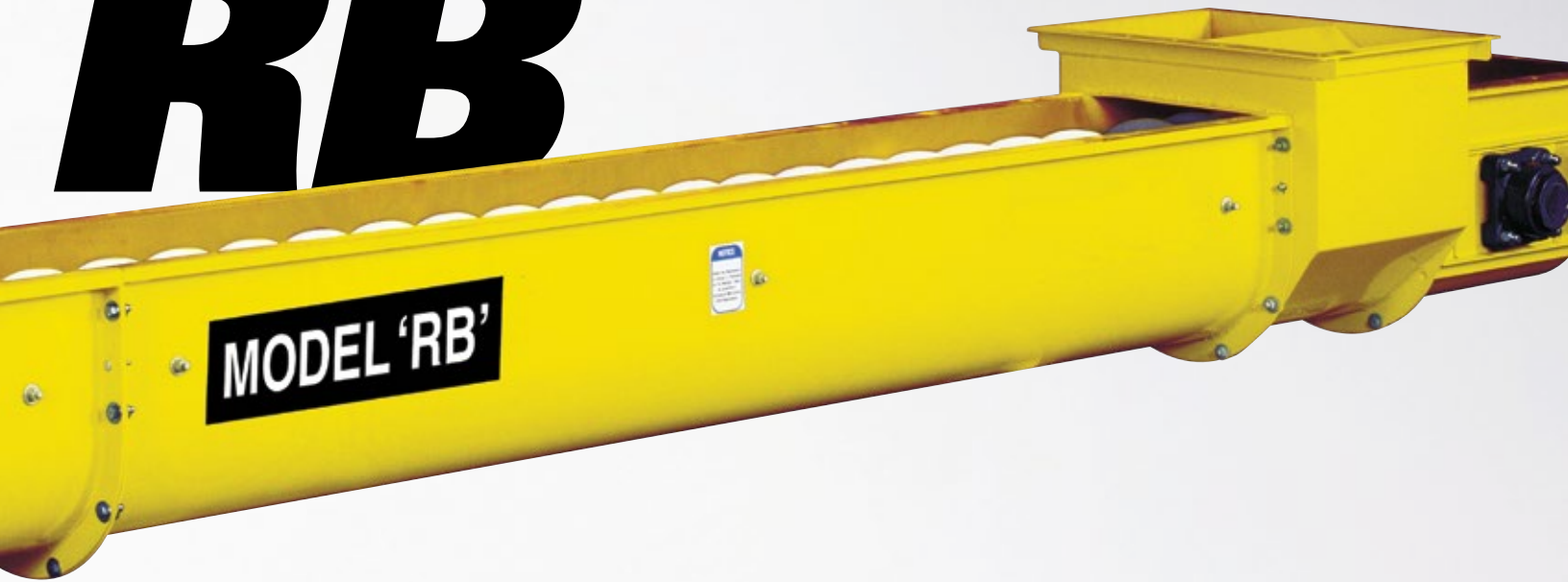
The Ultimate Feed Mill Conveyor



# ***MODEL***



# RB

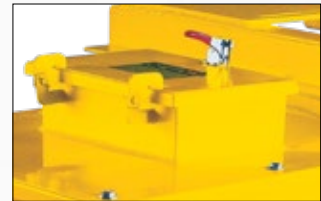


THE HIGHEST PERFORMANCE  
AT THE BEST VALUE!

Designed & Engineered for Versatility.

# CAPACITY TO 10,000 CF/HR

The TRAMCO Model RB Conveyor is specifically designed for the handling of soft stock or materials that are easily crumbled or broken, such as seed, feed, pellets and other fragile materials. All components are jig welded to ensure their interchangeability and are checked for precise fit by the strict TRAMCO 100% inspection policy. The Model RB is built standard with 10-gauge construction. The u-shaped trough is available in widths of 9" - 12"-14", 16" and 24". Our "total quality process" means that you can count on years of quiet, trouble-free performance from your Model RB Conveyor.

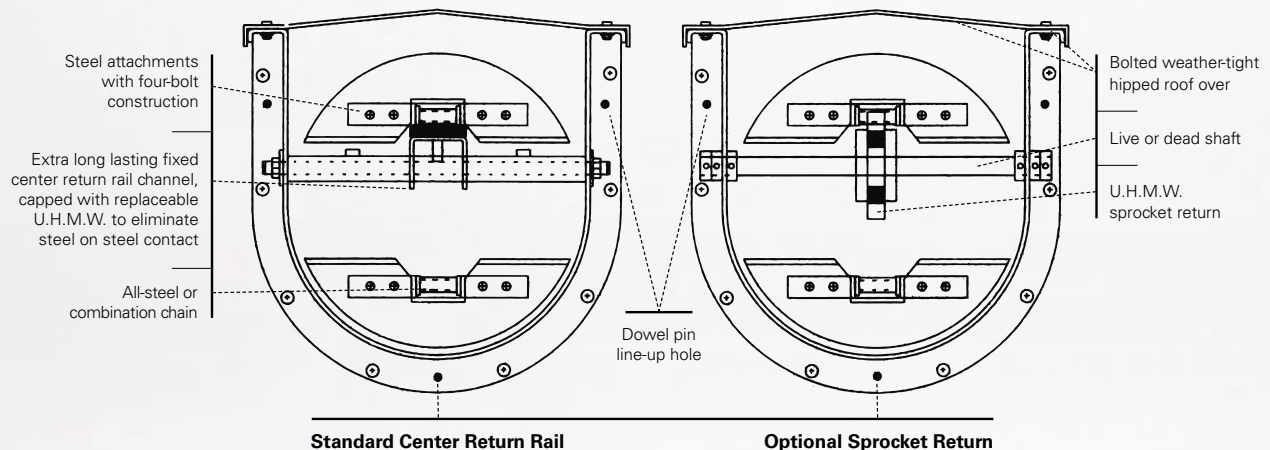


**1**  
Standard totally bolted construction with grade 5 cadmium plated bolts

**2**  
Heavy-duty heat treated chain supported by our standard center return rail

**3**  
Bypass feed inlet allows feed to flow around return flight and feed directly to bottom run without damage to material

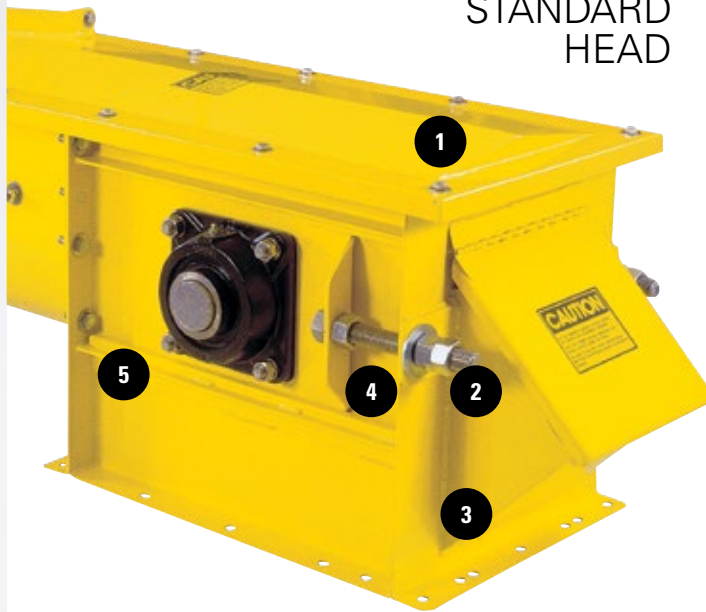
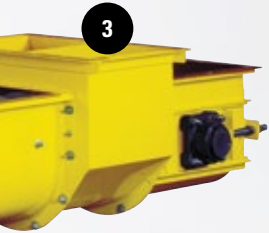
Inspection doors at each feed inlet or per customer's requirements



**\*NOTE**

Covers have been removed for illustrative purposes only. Do not operate conveyor unless all covers, guards, etc. are in place.

# THE HEAVY-DUTY, HARD WORKING CONVEYOR FOR SOFT STOCK



## STANDARD HEAD

**1** Flame hardened split sprocket for easy replacement

**2** Take-up on the head with self-cleaning tail

**3** Flanged discharge

**4** 3 mil Powder Coat Finish

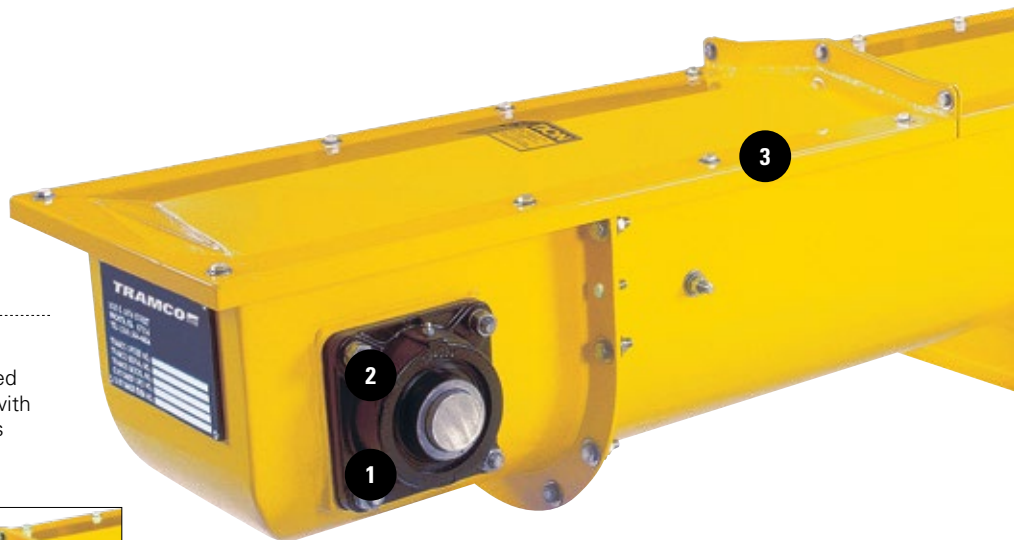
**5** U.H.M.W. dust seal



**1** Heavy-duty ball bearings

**2** Four bolt flanged bearing

**3** Standing flange hipped roof cover fastened with cadmium plated bolts



## STANDARD TAIL

## TROUGH CROSS SECTIONS

Contour shaped U.H.M.W. Polyethylene Flights are standard on all Tramco Model RB Conveyors for self-cleaning and quiet operation



# THE WORLD'S MOST COMPLETE LINE OF CHAIN & ENCLOSED BELT CONVEYORS

TRAMCO conveyors and elevators, *The Quiet Ones* (italicize this) have become the standard of the industry. They are designed, engineered and built for hard work and long life. All models feature non-metallic flights for lower noise levels, minimal maintenance and downtime.

**1**

## **TRAMCO BUCKET ELEVATOR**

THE WORK HORSE

Centrifugal Discharge design is used for the bulk handling of free-flowing fine and loose materials with small to medium size lumps. Built-to-last for the toughest requirements.

**2**

## **TRAMCO JETBELT™**

AIR SUPPORTED BELT CONVEYOR

An efficient system requiring less horsepower than other systems. Used for dry bulk handling requirements in a variety of products.

**3**

## **TRAMCO MODEL RB**

Designed for self-cleaning and quiet operation with a u-shaped trough for handling soft stock or materials that are easily crumbled or broken.

**4**

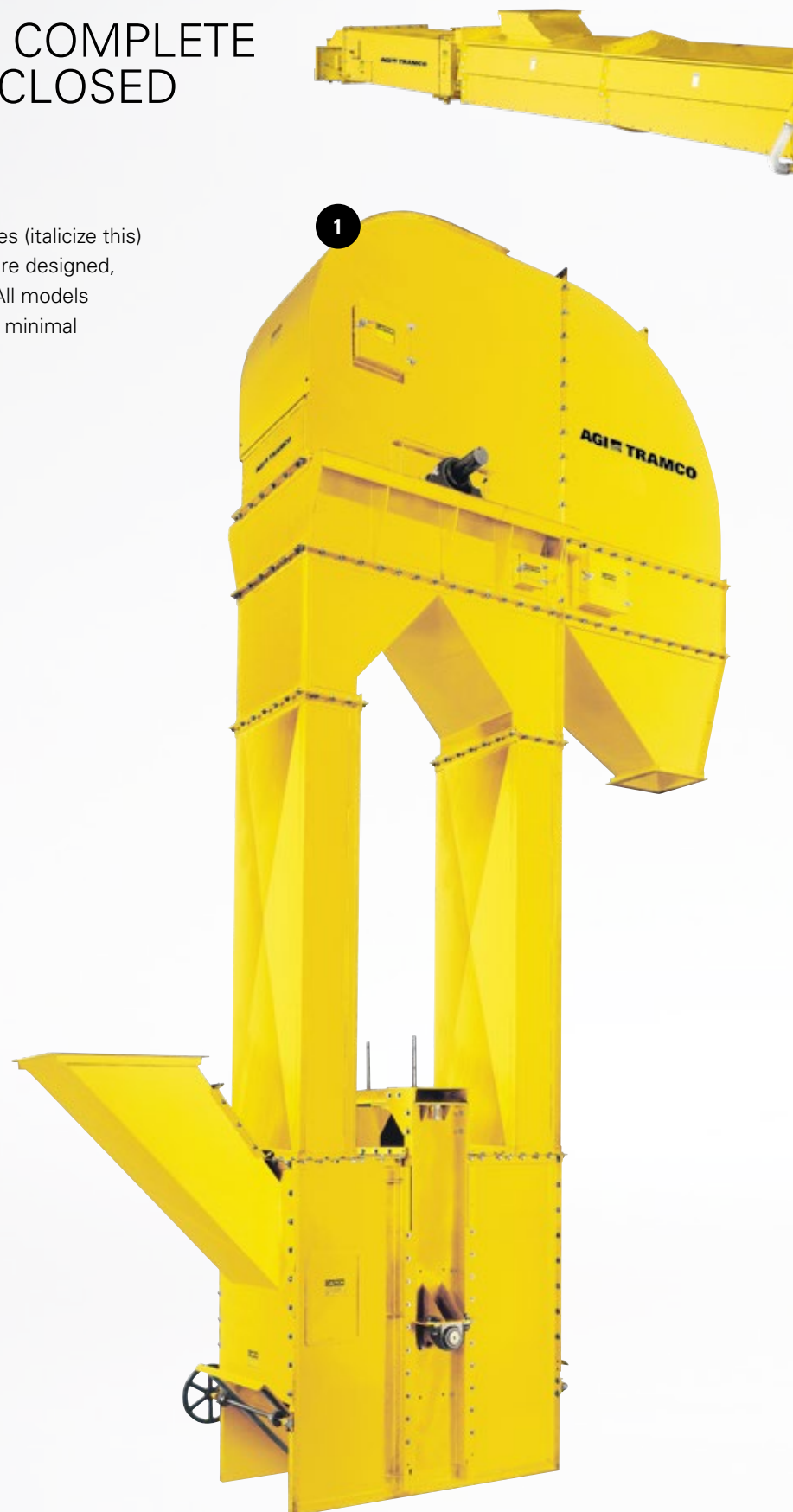
## **TRAMCO MODEL G**

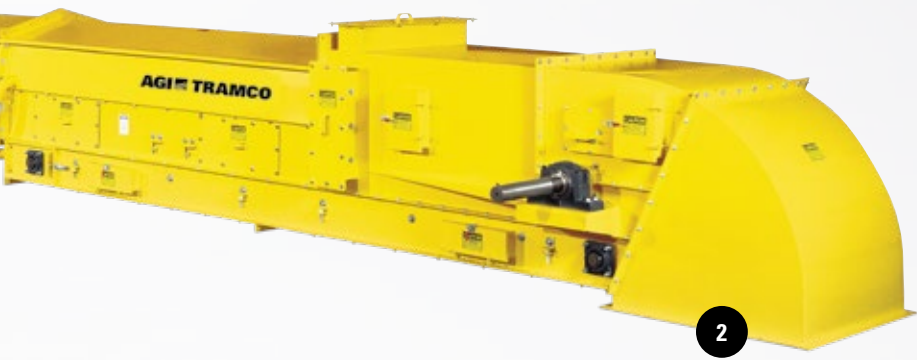
Built standard with 10-gauge construction to accommodate large capacities of free-flowing materials. Provides years of trouble-free service under extreme applications.

**5**

## **TRAMCO BULK-FLO™**

The heavy-duty chain conveyor designed specifically for processing applications such as; wet and sticky, varying sizes and densities and abrasive or corrosive materials.







**Tramco is an AGI Brand.**

AGI is a leading provider of equipment solutions for agriculture bulk commodities including seed, fertilizer, grain, and feed systems with a growing platform in providing equipment and solutions for food processing facilities. AGI has manufacturing facilities in Canada, the United States, the United Kingdom, Brazil, South Africa and Italy and distributes its products globally.

# AGI **TRAMCO**

1020 East 19th Street North, Wichita, Kansas USA 67214  
 316.264.4604 | sales@tramcoinc.com | tramcoinc.com